



BPW innovations 2017

Go on, when others stop

Under this motto, BPW presents multiple solutions for chassis for agricultural vehicles and machines.

In this flyer, you will get a compact overview of the news presented at Agritechnika 2017. Our BPW AGRO Drive axle with hydraulic drive celebrates its world premiere; in future, AGRO Hub is available with weighing system and ISOBUS interface, and for small charges BPW has developed the GS 9000 axle family.

we think transport



BPW AGRO Drive

The hydraulic drive axle



Benefits of **driven axles** on the trailer

The range of application for hydraulic-powered axles is exceptionally diverse. Whether applying fertilizer on sloping terrain, harvesting in wet and slippery ground conditions, navigating silos or loading and transporting on unpaved roads at construction sites, the BPW drive axle, is the right solution for your toughest conditions.

- › High torque and large speed range
- › Minimized ground impact thanks to reduced slip of tractor drive wheels
- › Enables lightweight tractors to pull heavier loads
- › Better "payload to total weight" ratio
- › Fewer transport hauls

YOUR ADVANTAGES AT A GLANCE

- › Brake pad replacement without disassembling the drive motor
- › CTI preparation for PTG system
- › ABS and speed sensor inside-mounted and protected
- › For use with tractor or auxiliary hydraulics
- › Brake with EU 68/2015 certificate



BPW AGRO Air 9000 – Air suspension

Unrivalled 9-ton BPW technology combining cost-optimized axle with air suspension for use on and off the road. Generous spring deflection, high roll stability and excellent driving comfort are the hallmarks of this new air suspension.

YOUR ADVANTAGES AT A GLANCE

- › Exceptional driving comfort in on-road and off-road use
- › Ground protection thanks to even load distribution
- › Constant ride height with varying load conditions
- › Ready-to-install solution
- › Broad range of options
- › Ride heights from 190 mm (SLU) to 505 mm (SLO)
- › 70 mm wide single-leaf trailing arm
- › For axle loads to 9 tons



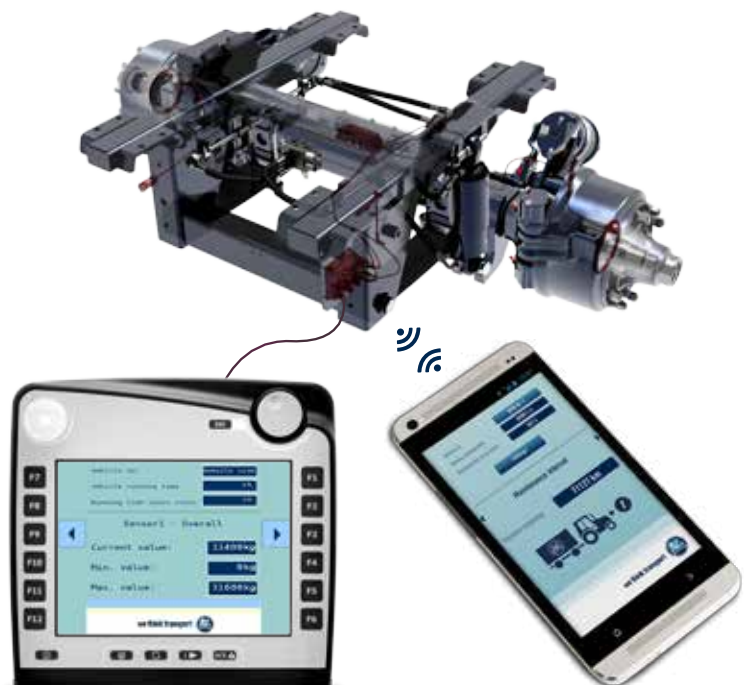
BPW AGRO Hub

Know how it went. And what it weighs.

Communication with ISOBUS and app for displaying axle loads and tractor mileage.

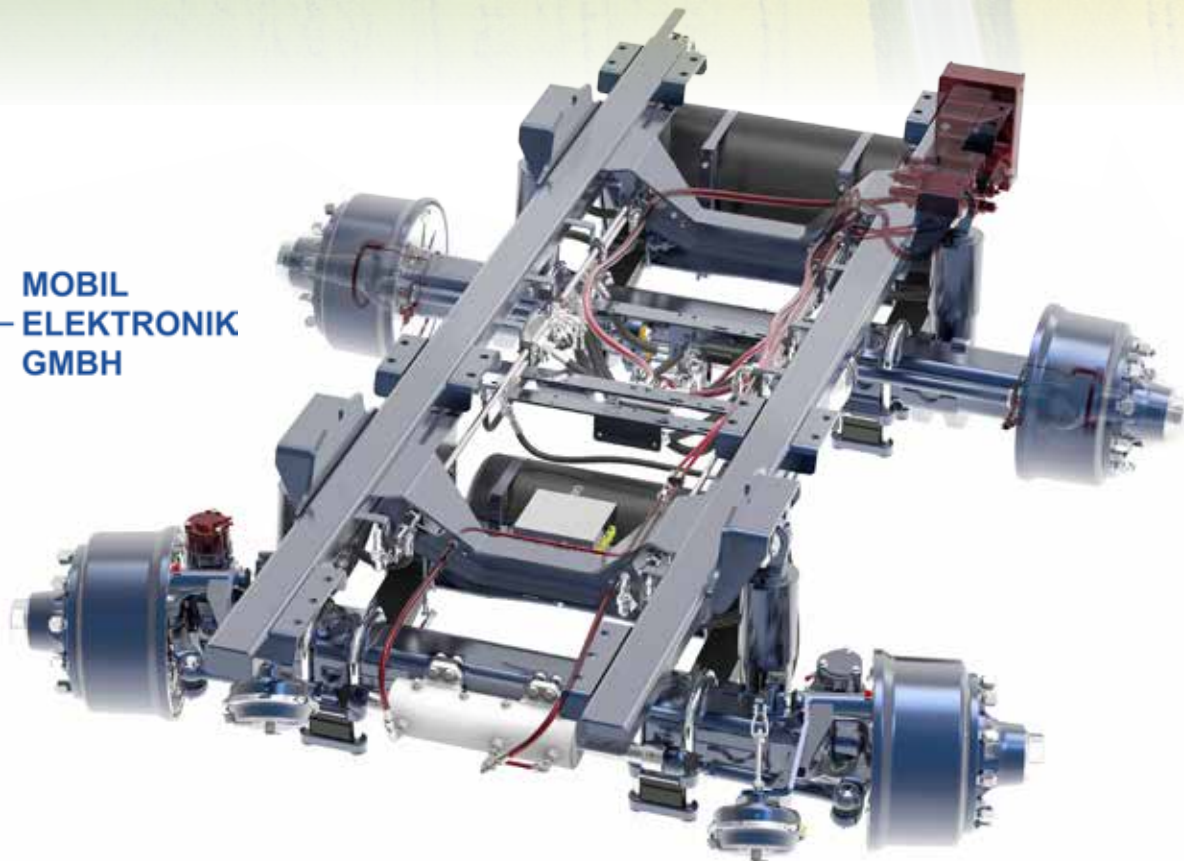
Features and benefits

- › Greater cost-effectiveness through cost-control
- › Wireless communication
- › Display: mileage, operating hours, trip distance and trailer weight
- › ISOBUS communication
- › Maintenance reminder



BPW AGRO FlexFrame

with electro-hydraulic steering systems



YOUR ADVANTAGES AT A GLANCE

- › Dramatically reduced tire wear
- › High degree of driving stability and driving safety due to speed-dependent steering functions
- › Special steering programs to minimize ground impact
- › Manual steering possible
- › Unlimited steering capability when reversing
- › Speed-dependent steering functions
- › Numerous steering programs like slope drift compensation, manual steering, and crab steering
- › Different operational functions for street and field
- › Integrated check functions like signal monitoring of the driving speed of the centring position and the hydraulic supply

BPW GS 9000 axle family

YOUR ADVANTAGES AT A GLANCE

- › GS 9000 rigid axle 9 t
- › GSLA 9000 trailing steering axle 9 t
- › Cam disc for a safe steering stability
- › Lower tire wear
- › Easiest trailing steering axle thanks for the hollow axle body

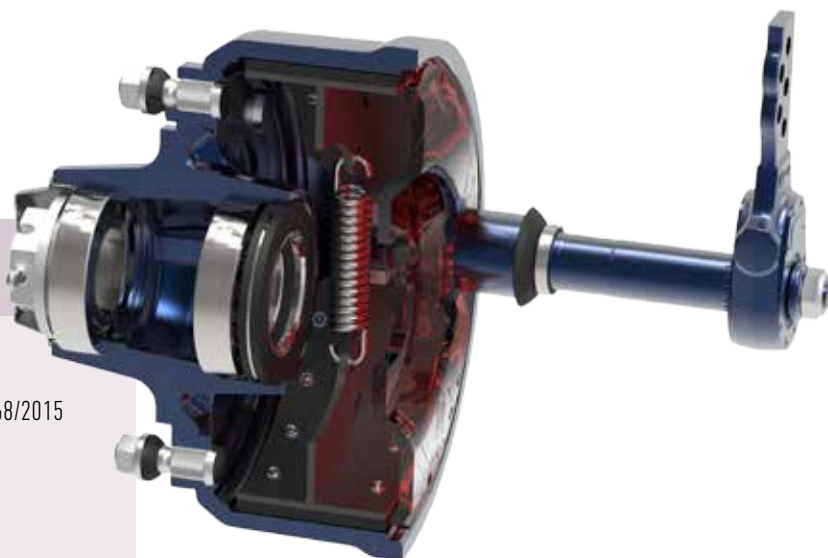


BPW brake for 17" rim

N 3411

YOUR ADVANTAGES AT A GLANCE

- › 8.5 t brakeload at 40 km/h
- › Tested and checked according to the new EU-regulation 68/2015
- › To small rim with big brakeload
- › Variable with different axle housing and bearing system



The brands of the BPW group:



we think transport

BPW Neuheiten 2017 -014-ENG

