

# BPW AGRO FlexFrame

## with electro-hydraulic steering system

The new BPW AGRO FlexFrame is optionally equipped with an electro-hydraulic steering system. The specially developed steering system by Mobil Elektronik for agricultural vehicles is integrated with all required components in the BPW AGRO FlexFrame.

The brands of the BPW group:



we think transport

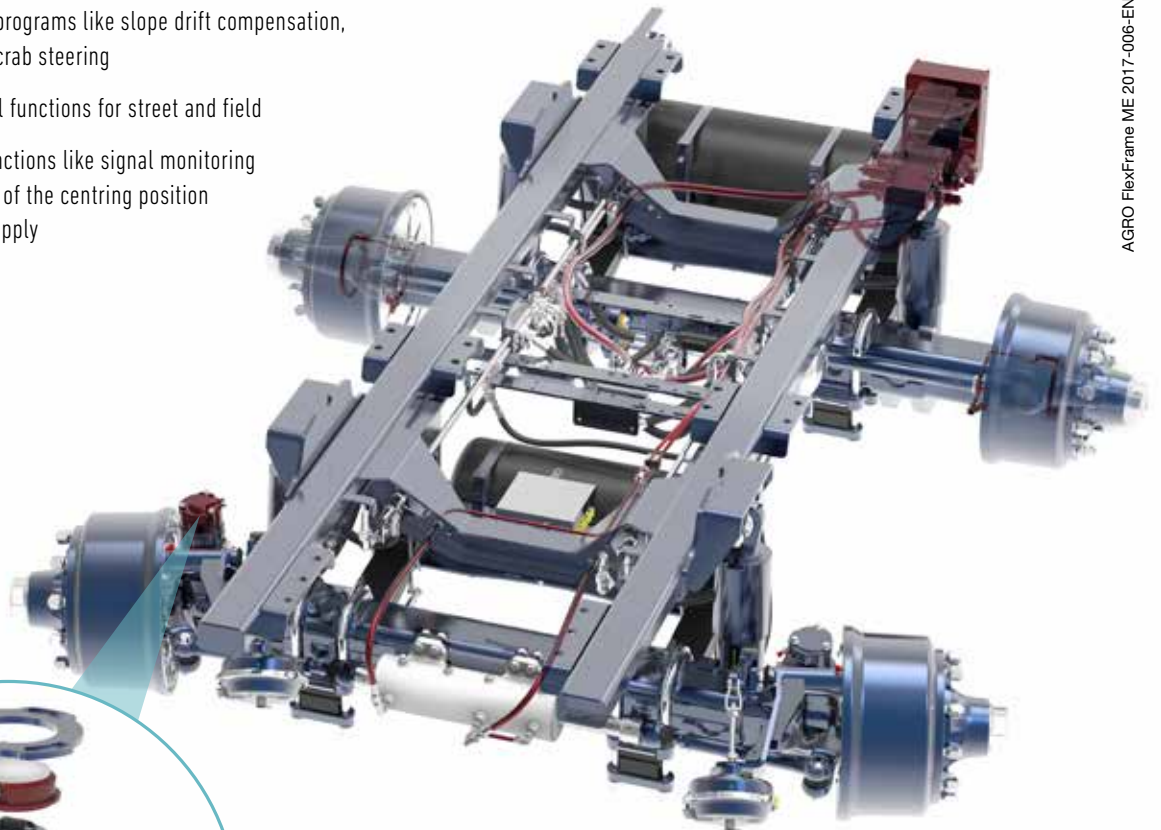


# Steering system in BPW AGRO FlexFrame



For the BPW AGRO FlexFrame we offer a complete solution with electro-hydraulic steering system all components are already installed. For this purpose, a functional test will be carried out before delivery.

- › Speed-dependent steering functions
- › Numerous steering programs like slope drift compensation, manual steering or crab steering
- › Different operational functions for street and field
- › Integrated check functions like signal monitoring of the driving speed of the centring position and the hydraulic supply



AGRO FlexFrame ME 2017-006-ENG



Integrated safety angle sensor  
in the **AGRO Turn** steering axle

#### Your advantages at a glance

- › Dramatically reduced tire wear
- › High degree of driving stability and driving safety due to speed-dependent steering functions
- › Special steering programs to minimize ground impact
- › Manual steering possible
- › Unlimited steering capability when reversing

#### Features and benefits

- › Preprogrammed all-in-one system with frame unit
- › Ready to use
- › TÜV-certified system

**BPW Bergische Achsen Kommanditgesellschaft**

Postcode 12 80 · 51656 Wiehl, Germany · Telefon +49 (0) 2262 78-0

info@bpwagrar.com · [www.bpwagrar.com](http://www.bpwagrar.com)

**we think transport**

