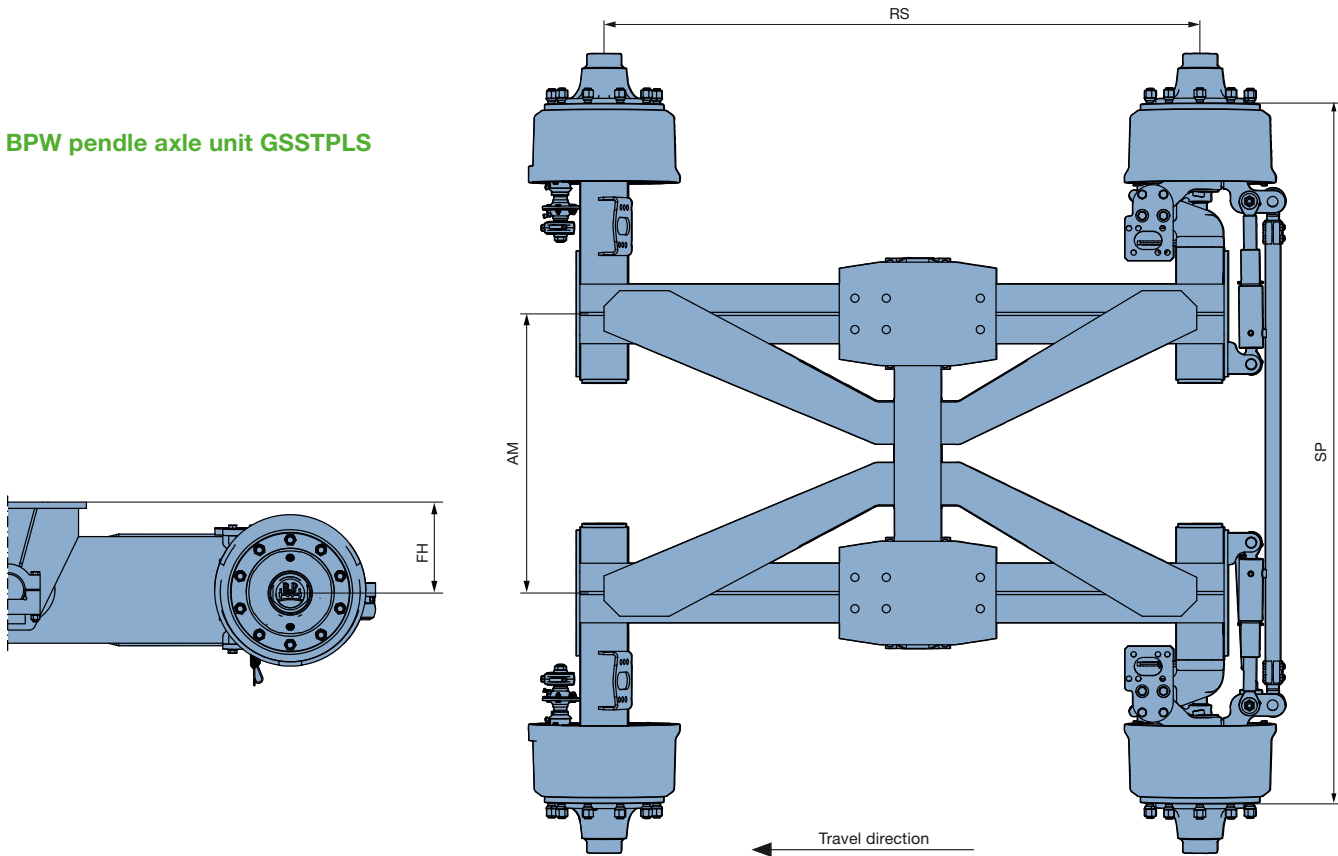


BPW pendle axle unit GSSTPLS



Track width SP (mm)	Support centre AM (mm)	Ride height FH (mm)	Wheel base RS (mm)	Axle load (kg)	BPW code number (Rigid axle)	BPW code number (Steering axle)
				40 km/h		

GSSTP(LS) 8008-3 - axle load up to 14,000 kg (40 km/h)						
Brake N4008-4 400 x 80 mm - wheel connection 220/275/8 ET 0 - M20 x 1.5						
1,950	1,100	280	1,350	14,000	56.70.06.0600	56.70.06.0602
2,050	1,100	280	1,350	14,000	56.70.06.0601	56.70.06.0603

GSSTP(LS) 11010-1 - axle load up to 20,000 kg (40 km/h)						
Brake FL4112 410 x 120 mm - wheel connection 280/335/10 ET 0 - M22 x 1.5						
1,950	930	280	1,300	20,000	56.88.06.0600	56.88.06.0605
2,000	1,050	280	1,300	20,000	56.88.06.0601	56.88.06.0606
2,050	1,050	280	1,300	20,000	56.88.06.0602	56.88.06.0607
2,150	890	280	1,550	20,000	56.88.06.0603	56.88.06.0608
2,225	890	280	1,550	20,000	56.88.06.0604	56.88.06.0609

GSSTP(LS) 12010 - axle load up to 26,000 kg (40 km/h)						
Brake FL4118 410 x 180 mm - wheel connection 280/335/10 ET 0 - M22 x 1.5						
2,050	900	280	1,900	24,000	56.72.06.0600	56.72.06.0604
2,150	1,100	280	1,900	24,000	56.72.06.0601	56.72.06.0605
2,225	890	280	1,900	24,000	56.72.06.0602	56.72.06.0606
2,050	900	280	1,900	26,000	-	56.72.06.0607
2,150	1,100	280	1,900	26,000	-	56.72.06.0608
2,225	890	280	1,900	26,000	-	56.72.06.0609