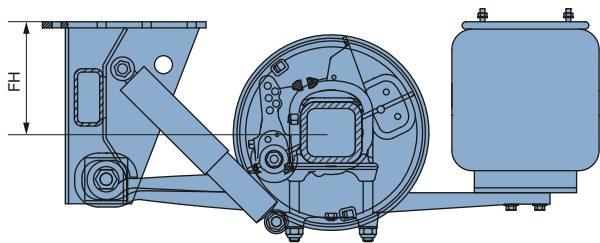
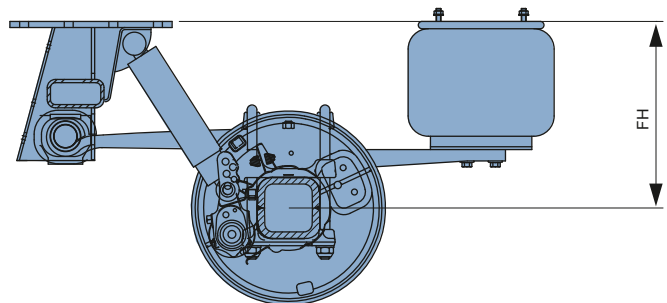


Air suspension unit GSSLU



Air suspension unit GSSLO



BPW heavy-duty air suspension units

BPW's product range includes a heavy-duty SL HD suspension unit equipped amongst other things with a reinforced axle beam, reinforced trailing arms and air suspension hanger brackets as well as HD shock absorbers.

BPW AIR SUSPENSION UNITS.

Axle cross-section (mm)	Track width SP (mm)	Spring centre FM (mm)	Ride height (mm) laden – unladen	Axle load (kg)		BPW code number
				40 km/h	60 km/h	

Rigid axle: GSSLO 11010-1 - axle load up to 10,000 kg (40 km/h)

Brake FL4112 410 x 120 mm - wheel connection 280/335/10 ET 0 - M22 x 1.5

120 x 15	1,950	900	480 – 540	10,000	9,000	56.88.01.0600
120 x 15	2,000	950	480 – 540	10,000	9,000	56.88.01.0601
120 x 15	2,050	1,000	480 – 540	10,000	9,000	56.88.01.0602
120 x 15	2,100	1,000	480 – 540	10,000	9,000	56.88.01.0603
120 x 15	2,150	1,100	480 – 540	10,000	9,000	56.88.01.0604

Steering axle: GSSLOLA 11010-1 - axle load up to 10,000 kg (40 km/h)

Brake FL4112 410 x 120 mm - wheel connection 280/335/10 ET 0 - M22 x 1.5

120 x 15	1,950	900	480 – 540	10,000	9,000	56.88.01.0605
120 x 15	2,000	950	480 – 540	10,000	9,000	56.88.01.0606
120 x 15	2,050	1,000	480 – 540	10,000	9,000	56.88.01.0607
120 x 15	2,100	1,000	480 – 540	10,000	9,000	56.88.01.0608
120 x 15	2,150	1,100	480 – 540	10,000	9,000	56.88.01.0609

Rigid axle: GSSLU 11010-1 - axle load up to 10,000 kg (40 km/h)

Brake FL4112 410 x 120 mm - wheel connection 280/335/10 ET 0 - M22 x 1.5

120 x 15	1,950	900	270 – 330	10,000	9,000	56.88.01.0610
120 x 15	2,000	900	270 – 330	10,000	9,000	56.88.01.0611
120 x 15	2,050	900	270 – 330	10,000	9,000	56.88.01.0612
120 x 15	2,100	1,000	270 – 330	10,000	9,000	56.88.01.0613
120 x 15	2,150	1,100	270 – 330	10,000	9,000	56.88.01.0614

Steering axle: GSSLULA 11010-1 - axle load up to 10,000 kg (40 km/h)

Brake FL4112 410 x 120 mm - wheel connection 280/335/10 ET 0 - M22 x 1.5

120 x 15	1,950	900	270 – 330	10,000	9,000	56.88.01.0615
120 x 15	2,000	900	270 – 330	10,000	9,000	56.88.01.0616
120 x 15	2,050	900	270 – 330	10,000	9,000	56.88.01.0617
120 x 15	2,100	1,000	270 – 330	10,000	9,000	56.88.01.0618
120 x 15	2,150	1,100	270 – 330	10,000	9,000	56.88.01.0619

Rigid axle: GSSLO 12010 - axle load up to 12,000 kg (40 km/h)

Brake FL4118 410 x 180 mm - wheel connection 280/335/10 ET 0 - M22 x 1.5

150 x 16	2,000	900	490 – 540	12,000	11,000	56.72.01.0900
150 x 16	2,050	900	490 – 540	12,000	11,000	56.72.01.0901
150 x 16	2,100	1,000	490 – 540	12,000	11,000	56.72.01.0902
150 x 16	2,150	1,100	490 – 540	12,000	11,000	56.72.01.0903
150 x 16	2,225	1,100	490 – 540	12,000	11,000	56.72.01.0904

Steering axle: GSSLOLL 12010 - axle load up to 12,000 kg (40 km/h)

Brake FL4118 410 x 180 mm - wheel connection 280/335/10 ET 0 - M22 x 1.5

150 x 16	1,950	800	490 – 540	12,000	11,000	56.72.01.0905
150 x 16	2,000	800	490 – 540	12,000	11,000	56.72.01.0906
150 x 16	2,050	900	490 – 540	12,000	11,000	56.72.01.0907
150 x 16	2,100	900	490 – 540	12,000	11,000	56.72.01.0908
150 x 16	2,150	900	490 – 540	12,000	11,000	56.72.01.0909



Axle cross-section (mm)	Track width SP (mm)	Spring centre FM (mm)	Ride height (mm) laden – unladen	Axle load (kg)			BPW code number
				40 km/h	60 km/h	80 km/h	

Rigid axle: GSSLU 12010 - axle load up to 12,000 kg (40 km/h)
Brake FL4118 410 x 180 mm - wheel connection 280/335/10 ET 0 - M22 x 1.5

150 x 16	2,000	900	275 – 370	12,000	11,000	–	56.72.01.0910
150 x 16	2,050	1,000	275 – 370	12,000	11,000	–	56.72.01.0911
150 x 16	2,100	1,000	275 – 370	12,000	11,000	–	56.72.01.0912
150 x 16	2,150	1,100	275 – 370	12,000	11,000	–	56.72.01.0913
150 x 16	2,225	1,100	275 – 370	12,000	11,000	–	56.72.01.0914

Steering axle: GSSLULL 12010 - axle load up to 12,000 kg (40 km/h)
Brake FL4118 410 x 180 mm - wheel connection 280/335/10 ET 0 - M22 x 1.5

150 x 16	2,000	800	275 – 370	12,000	11,000	–	56.72.01.0915
150 x 16	2,050	800	275 – 370	12,000	11,000	–	56.72.01.0916
150 x 16	2,100	800	275 – 370	12,000	11,000	–	56.72.01.0917
150 x 16	2,150	900	275 – 370	12,000	11,000	–	56.72.01.0918
150 x 16	2,225	900	275 – 370	12,000	11,000	–	56.72.01.0919

Rigid axle: GSNSLO 12010 - axle load up to 12,000 kg (80 km/h)
Brake SN4220 420 x 200 mm - wheel connection 280/335/10 ET 0 - M22 x 1.5

150 x 16	1,950	900	490 – 540	–	–	12,000	56.72.01.0920
150 x 16	2,050	1,000	490 – 540	–	–	12,000	56.72.01.0921
150 x 16	2,150	1,000	490 – 540	–	–	12,000	56.72.01.0922
150 x 16	2,200	1,100	490 – 540	–	–	12,000	56.72.01.0923

Steering axle: GSNSLOLL 12010 - axle load up to 12,000 kg (80 km/h)
Brake SN4220 420 x 200 mm - wheel connection 280/335/10 ET 0 - M22 x 1.5

150 x 16	1,950	800	490 – 540	–	–	12,000	56.72.01.0924
150 x 16	2,050	800	490 – 540	–	–	12,000	56.72.01.0925
150 x 16	2,150	900	490 – 540	–	–	12,000	56.72.01.0926
150 x 16	2,200	900	490 – 540	–	–	12,000	56.72.01.0927

Rigid axle: GSNSLU 12010 - axle load up to 12,000 kg (80 km/h)
Brake SN4220 420 x 200 mm - wheel connection 280/335/10 ET 0 - M22 x 1.5

150 x 16	1,950	900	490 – 540	–	–	12,000	56.72.01.0928
150 x 16	2,050	1,000	490 – 540	–	–	12,000	56.72.01.0929
150 x 16	2,150	1,000	490 – 540	–	–	12,000	56.72.01.0930
150 x 16	2,200	1,100	490 – 540	–	–	12,000	56.72.01.0931

Steering axle: GSNSLOLL 12010 - axle load up to 12,000 kg (80 km/h)
Brake SN4220 420 x 200 mm - wheel connection 280/335/10 ET 0 - M22 x 1.5

150 x 16	1,950	800	490 – 540	–	–	12,000	56.72.01.0932
150 x 16	2,050	800	490 – 540	–	–	12,000	56.72.01.0933
150 x 16	2,150	900	490 – 540	–	–	12,000	56.72.01.0934
150 x 16	2,200	900	490 – 540	–	–	12,000	56.72.01.0935

Further track widths, spring centres and HD versions up to 14 t axle load available on request.

Axle loads depending on the track/spring centre ratio and the tyres.

All suspension units are also available with axle type GS 14010.

Steering axles with steel steering housing: 13 t axle load.

Particularly recommended for application in tri-axle running gear.