

355

GROWING TOGETHER. ALL YEAR LONG.

08

118



## Soil cultivation

Soil tillage implements where axles are fixed in the middle due to the scarce free space require special axles that can cope with the high overhang. For this use, BPW offers the perfect solution - Axles with reinforced axle body and brake for smaller rims.

The brands of the BPW Group:



we think transport





# Soil cultivation

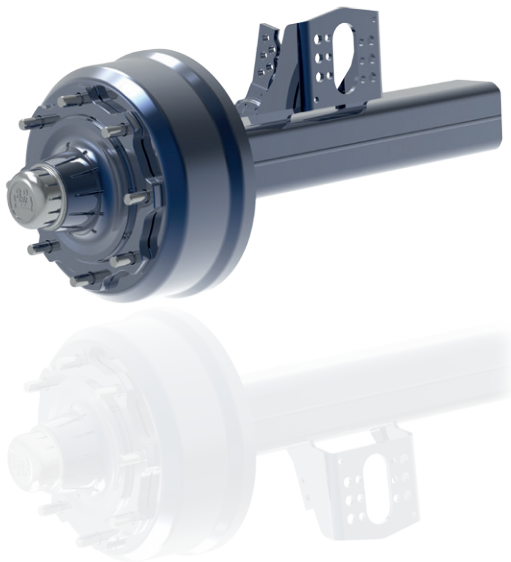
## Benefits that convince

- Economical standard running gear solutions
- Strong axle body for the highest reliability
- Constant braking effect for the highest safety
- 5-fold higher corrosion protection compared with conventional painting processes due to KTL coating for a longer service life
- EU-regulatory-compliant brakes

## THE BPW EFFECT

5x

better corrosion protection\*



## Technical data - Special axle

- 120x15 mm hollow axle beam / brake 340x110
- GS 7008 Bearing – 8.5 tonnes axle load (single axle / 40 km/h)
- KTL coating
- Manual slack adjuster

## Technische Daten - Standardachse

- 80 mm solid axle beam / brake 310x80
- GS 7008 Bearing – 8.5 tonnes axle load (single axle / 40 km/h)
- KTL coating
- Brake lever

\* due KTL<sub>ZN</sub> coating

**BPW Bergische Achsen Kommanditgesellschaft**

Postcode 12 80 · 51656 Wiehl, Germany · Telephone +49 (0) 2262 78-0  
info@bpwagrar.com · [www.bpwagrar.com](http://www.bpwagrar.com)

**we think transport**

